



PVC Series

The purity of PVC!



Casement or Awning



Single or Double Slider



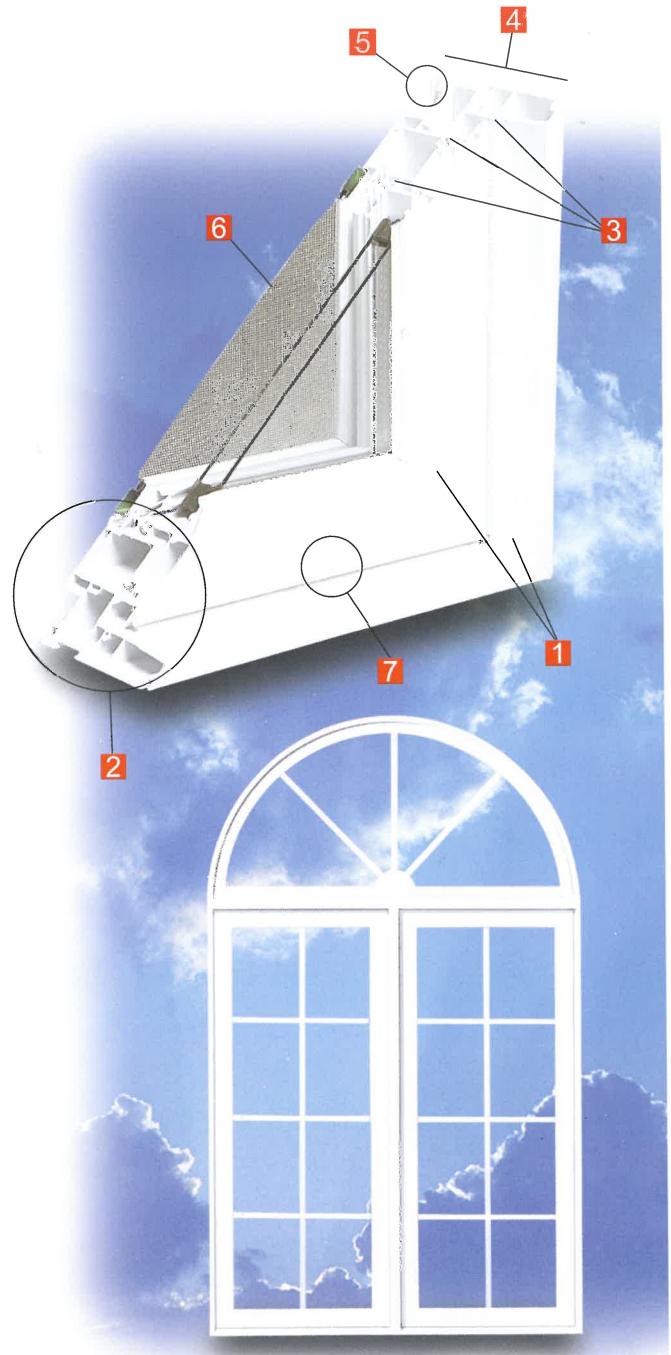
Single or Double Hung



CASEMENT – AWNING

Characteristics

- 1 All PVC window with thermally welded corners for better performance and efficiency.
- 2 Multiple chamber profiles for optimum thermal insulation.
- 3 Triple weather-strips located on the sash for maximum air and water tightness.
- 4 4 1/2" wide frame, with or without integrated brick mould, easy to clean.
- 5 3/4" wood and 1/2" drywall returns built in the frame.
- 6 Removable fibreglass interior screen with an enamelled aluminum frame.
- 7 Water evacuation without any apparent hole or cap.
- 8 Member of a complete family of products (casements, awnings, horizontal sliders, vertical sliders, picture frames and entrance doors) that have similar exterior looks.
- 9 Profiles extruded with a PVC compound powder which gives a glossy finish and reduces dirt adherence.



Casement

Options

- A Modular or Structural.
- B Universal brick mould (1 1/8", 2", 4") with integrated siding return.
- C Different types and thickness of glass.
- D Removable or integrated grills.
- E Interior wood extension clad with PVC or all PVC interior extension.
- F PVC moulding.
- G Adapter for exterior aluminum finish.

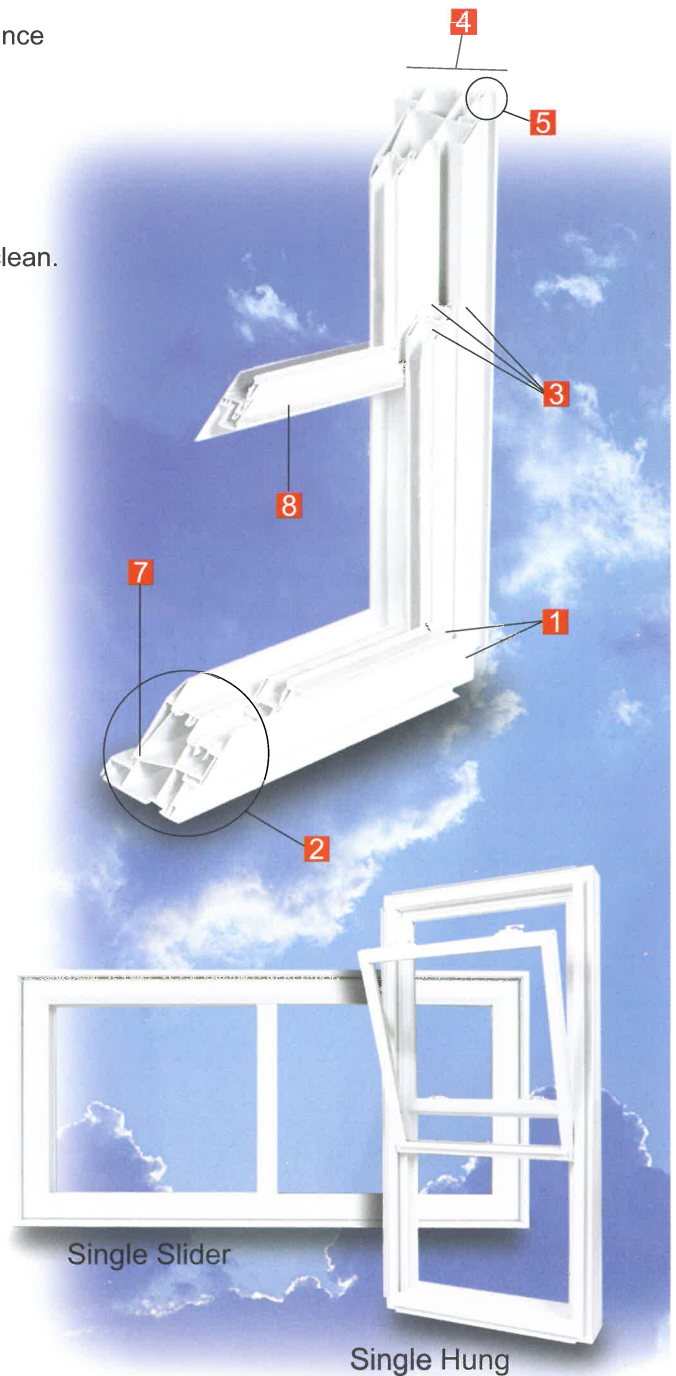
Performances

PRODUCT	STANDARD	AIR INFILTRATION	WATER INFILTRATION	WIND LOAD	FORCED ENTRY
CASEMENT AWNING	A440-M98	A3/F	B7	C4/C5	F2

SINGLE SLIDER - SINGLE HUNG

Characteristics

- 1** All PVC window with thermally welded corners for better performance and efficiency.
- 2** Multiple chamber profiles for optimum thermal insulation.
- 3** Triple weather-strips located on the sash for maximum air and water tightness.
- 4** 4 1/2" wide frame, with or without integrated brick mould, easy to clean.
- 5** 3/4" wood and 1/2" drywall returns built in the frame.
- 6** Half-size fibreglass screen with an enamelled aluminum frame, removable from the inside.
- 7** Water evacuation without any apparent hole or cap.
- 8** Central interlocking system that increases performances with Air Infiltration and Forced Entry test results.
- 9** Sash tilts inside to facilitate cleaning.
- 10** Member of a complete family of products (casements, awnings, horizontal sliders, vertical sliders, picture frames and entrance doors) that have similar exterior looks.
- 11** Profiles extruded with a PVC compound powder which gives a glossy finish and reduces dirt adherence.



Options

- A** Universal brick mould (1 1/8", 2", 4") with integrated siding return.
- B** Different types and thickness of glass.
- C** Integrated grills.
- D** Interior wood extension clad with PVC or all PVC interior extension.
- E** PVC moulding.
- F** Vent stops.
- G** Adapter for exterior aluminum finish.

Performances

PRODUCT	STANDARD	AIR INFILTRATION	WATER INFILTRATION	WIND LOAD	FORCED ENTRY
SINGLE SLIDER/ SINGLE HUNG	A440-M98	A2/A3/F	B3/B4	C3/C4	F2

DOUBLE SLIDER - DOUBLE HUNG

Characteristics

- 1 All PVC window with thermally welded corners for better performance and efficiency.
- 2 Multiple chamber profiles for optimum thermal insulation.
- 3 Triple weather-strips located on the sash for maximum air and water tightness.
- 4 4 1/2" wide frame, easy to clean.
- 5 3/4" wood and 1/2" drywall returns built in the frame.
- 6 Full or half-size fibreglass screen with an enamelled aluminum frame, removable from the inside.
- 7 Water evacuation without any apparent hole or cap.
- 8 Central interlocking system that increases performances with Air Infiltration and Forced Entry test results.
- 9 Sash tilts inside to facilitate cleaning.
- 10 Member of a complete family of products (casements, awnings, horizontal sliders, vertical sliders, picture frames and entrance doors) that have similar exterior looks.
- 11 Profiles extruded with a PVC compound powder which gives a glossy finish and reduces dirt adherence.

Options

- A Universal brick mould (1 1/8", 2", 4") with integrated siding return.
- B Different types and thickness of glass.
- C Integrated grills.
- D Interior wood extension clad with PVC or all PVC interior extension.
- E PVC moulding.
- F Vent stops.
- G Adapter for exterior aluminum finish.

Performances

PRODUCT	STANDARD	AIR INFILTRATION	WATER INFILTRATION	WIND LOAD	FORCED ENTRY
DOUBLE SLIDER/ DOUBLE HUNG	A440-M90	A2/A3	B2/B3	C3/C4	F2

Manufactured by

Distributed by



Building Products

11 900 J.J. Joubert, Montréal, Québec, Canada, H1E 7J4 T: (514) 355-4877 F: (514) 351-8420 | www.oceanproducts.ca

